



Datasheet

2.5" SATA II SSD

Features

- Suitable for wide-temperature applications
- Built-in ECC and Wear-Leveling ensure reliable data transfer
- Supports hot swapping in AHCI mode
- TRIM command and NCQ support
- Advanced S.M.A.R.T. and software monitoring tools
- Built-in Power Shield active monitoring circuit prevents data loss in the event of a sudden power outage (SSD630)
- Optional support for Write Protect and Hardware Purge security functions

Introduction

To meet industrial-grade specifications and ensure the utmost quality, Transcend's SATA II 3Gb/s SSD not only utilizes top-quality SLC/MLC NAND flash chips, but has also undergone extensive tests to ensure sustained reliability. Featuring the Power Shield function, the SATA II SSD provides extra protection to data integrity against sudden power failures or blackouts, making it ideal for industrial use and mission-critical applications such as Point of Sale (POS) installations, indoor/outdoor DVR surveillance systems, and gaming systems.



www.transcend-info.com/Embedded/

© Transcend 2017. All rights reserved. Transcend and the Transcend logo are registered trademarks of Transcend Information, Inc. Product offerings and specifications are subject to change without notice. All other products, brand names, company names and logos are trademarks of their respective owners.

Specifications

	SSD520	SSD630
Flash Type	SLC	MLC
Connector	SATA (7+15-pin)	
Capacity	8GB	16GB~128GB
Sequential Read*	130 MB/s	260 MB/s
Sequential Write*	85 MB/s	225 MB/s
Operating Temperature	0°C~70°C	0°C~70°C**
Storage Temperature	-40°C~85°C	
Humidity	0%~95%	
Shock	1,500G	
Vibration	5G (Peak-to-Peak), 5Hz to 800Hz (Frequency)	
Operating Voltage	5V±5%	
Power Consumption	1.75W (active), 0.365W (idle)	3.67W (active), 0.55W (idle)
Dimensions	100 x 69.85 x 6.8mm	99.8 x 69.8 x 7mm
MTBF	1,000,000 hrs	
Warranty	3-year Limited	

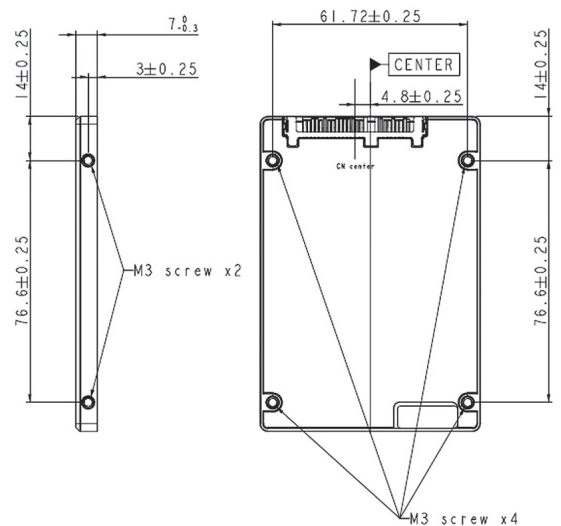
*Max. Performance
**optional: -40°C~85°C

Ordering Information

SSD630 MLC	TS16GSSD630	16GB
	TS32GSSD630	32GB
	TS64GSSD630	64GB
	TS128GSSD630	128GB
SSD520 SLC	TS8GSSD520	8GB

Other Industrial temp. capacities available by request

Drawing



Contact information

Transcend Information. Inc.

No. 70, XingZhong Rd., NeiHu Dist. Taipei, Taiwan, R.O.C.

Tel: +886-2-2792-8000

sales-tw@transcend-info.com



www.transcend-info.com/Embedded/

© Transcend 2017. All rights reserved. Transcend and the Transcend logo are registered trademarks of Transcend Information, Inc. Product offerings and specifications are subject to change without notice. All other products, brand names, company names and logos are trademarks of their respective owners.